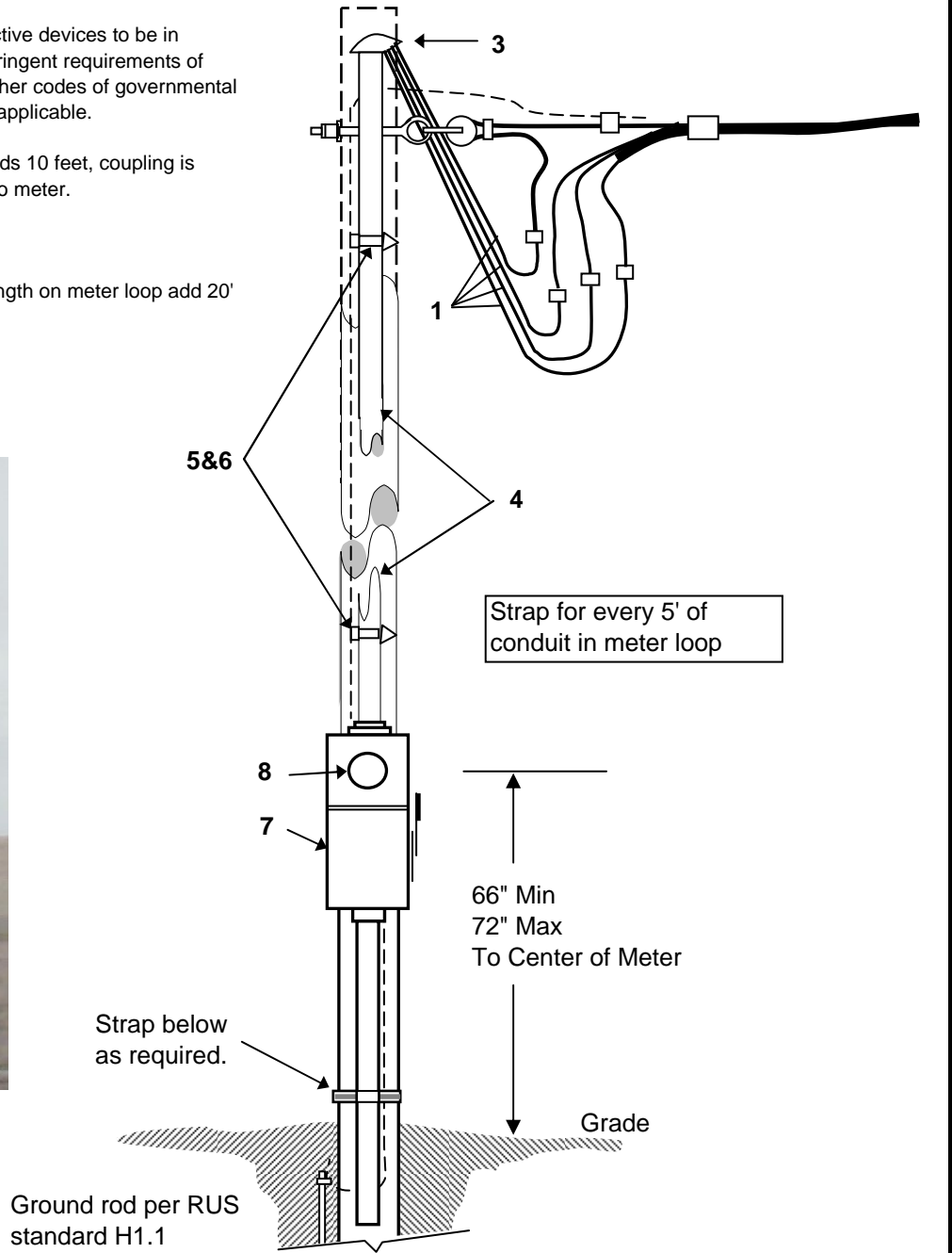
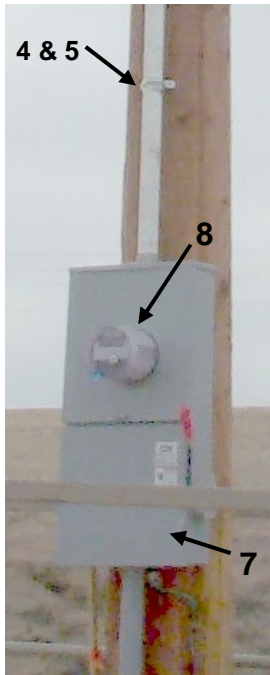


1. All clearances and protective devices to be in conformance to the most stringent requirements of either the NESC, NEC or other codes of governmental or regulating authorities as applicable.
2. If length of conduit exceeds 10 feet, coupling is permitted on end adjacent to meter.
3. Guy pole as required.
4. For every additional 5' length on meter loop add 20' of wire to the installation.



**MATERIALS LISTING**

ITEM	DESCRIPTION	UNIT	PREC #
1	200A Three-Phase Meter Loop	Ea.	8312-*
2	7T 200A 3 Phase Meter Box w/Disconnect	Ea.	9186
3	Form 16S/15S Class 200 120-480V 4-Wire 3Ø Meter	Ea.	

Design Parameters:  
 > See design notes 1 through 4 above.  
 > \*Loop length per staking sheet.  
 > Use 4/0 Copper THHN on 25kV transformers.

**120/208V 200A - 5, 15, & 25kVA Transformers (up to 75kVA bank)  
 4-Wire Self Contained, 15' & 20' Down Loop Mounted on Meter Pole**

5/21/2008 Rev. 0		Q3.3-02SC*
---------------------	--	------------